

100

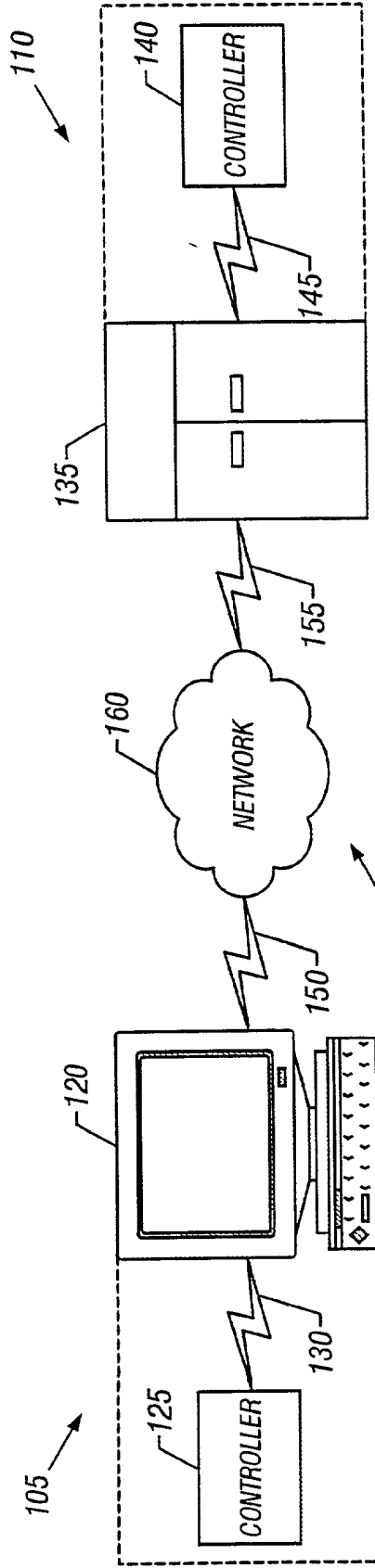


FIG. 1

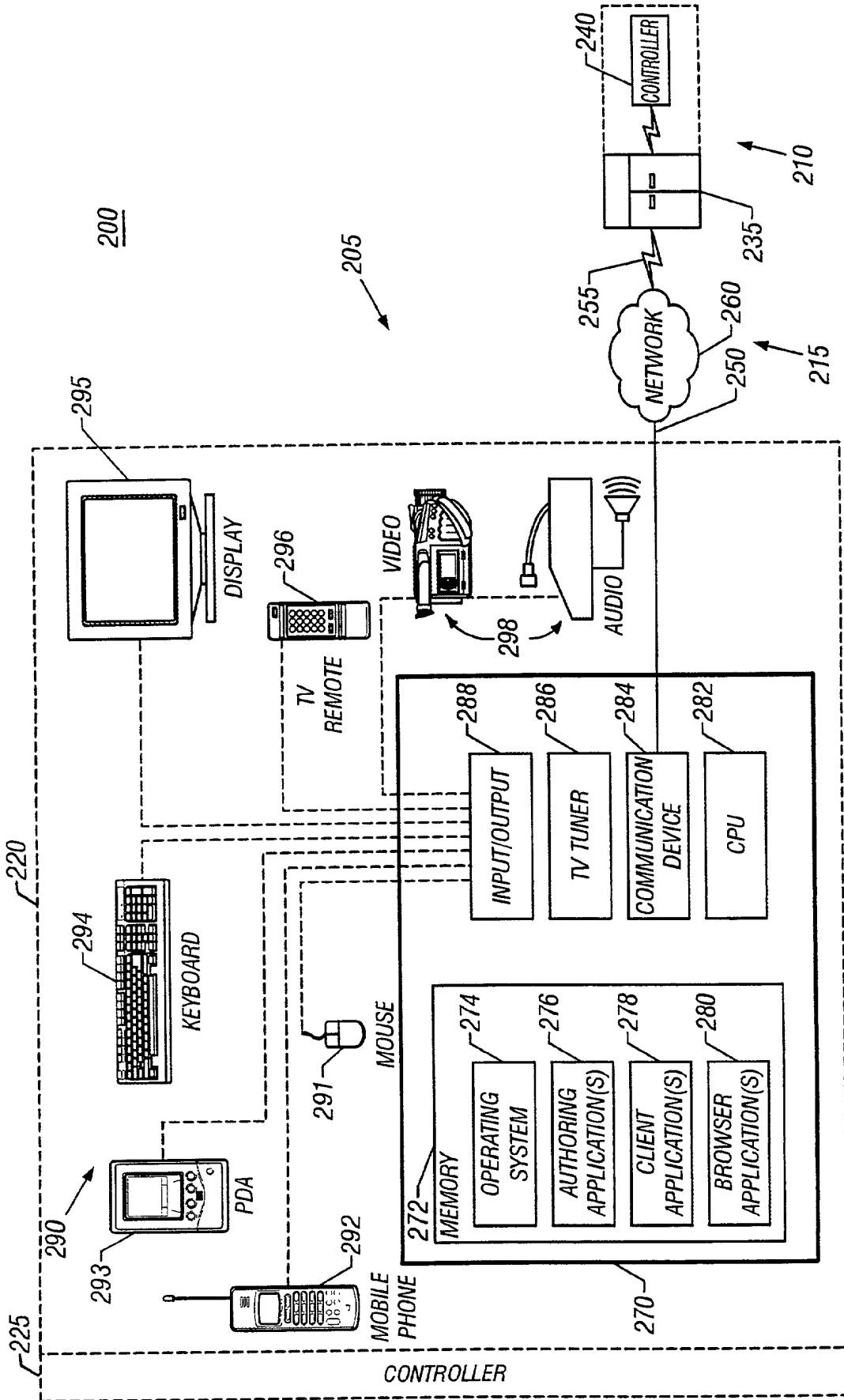


FIG. 2

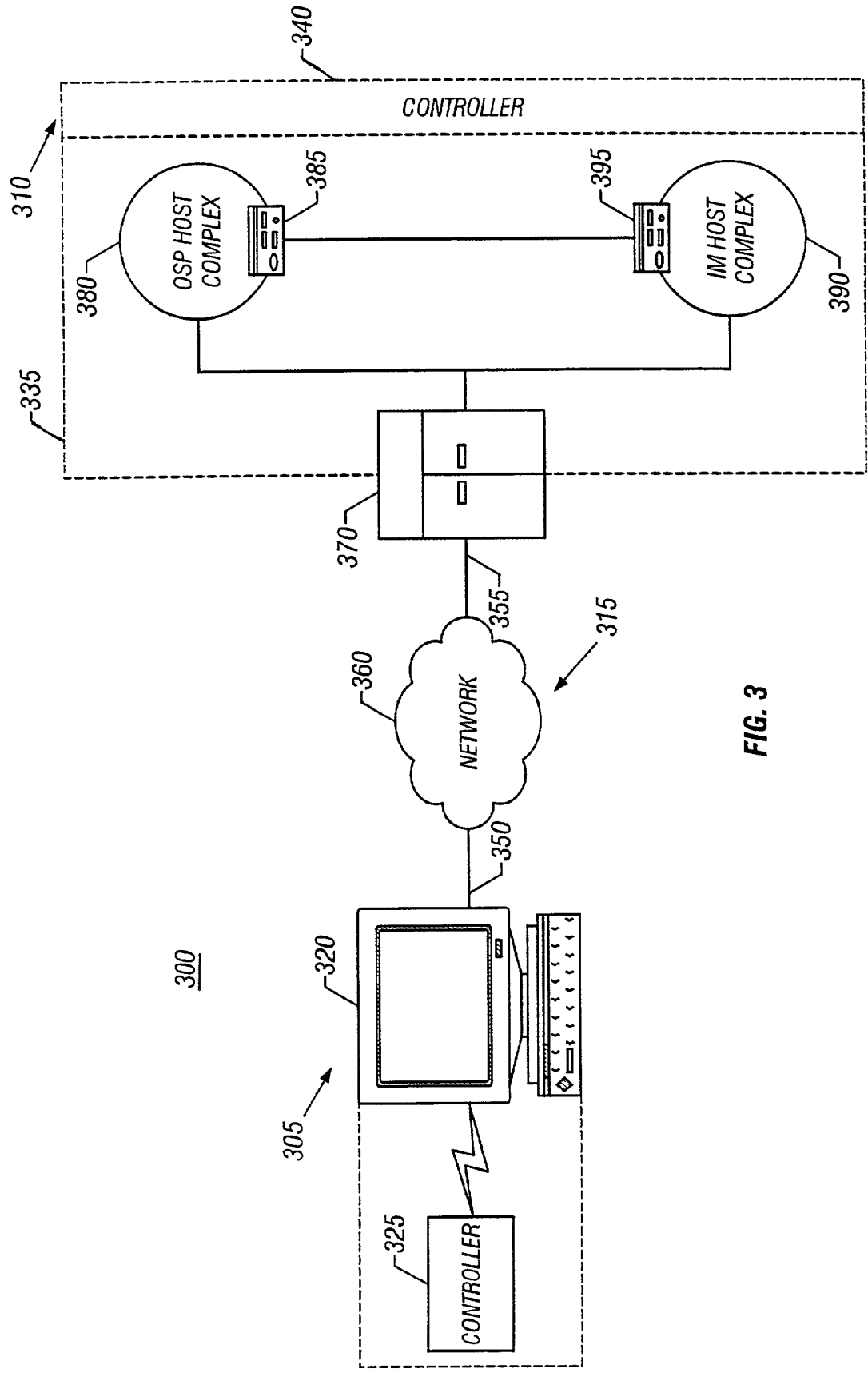


FIG. 3

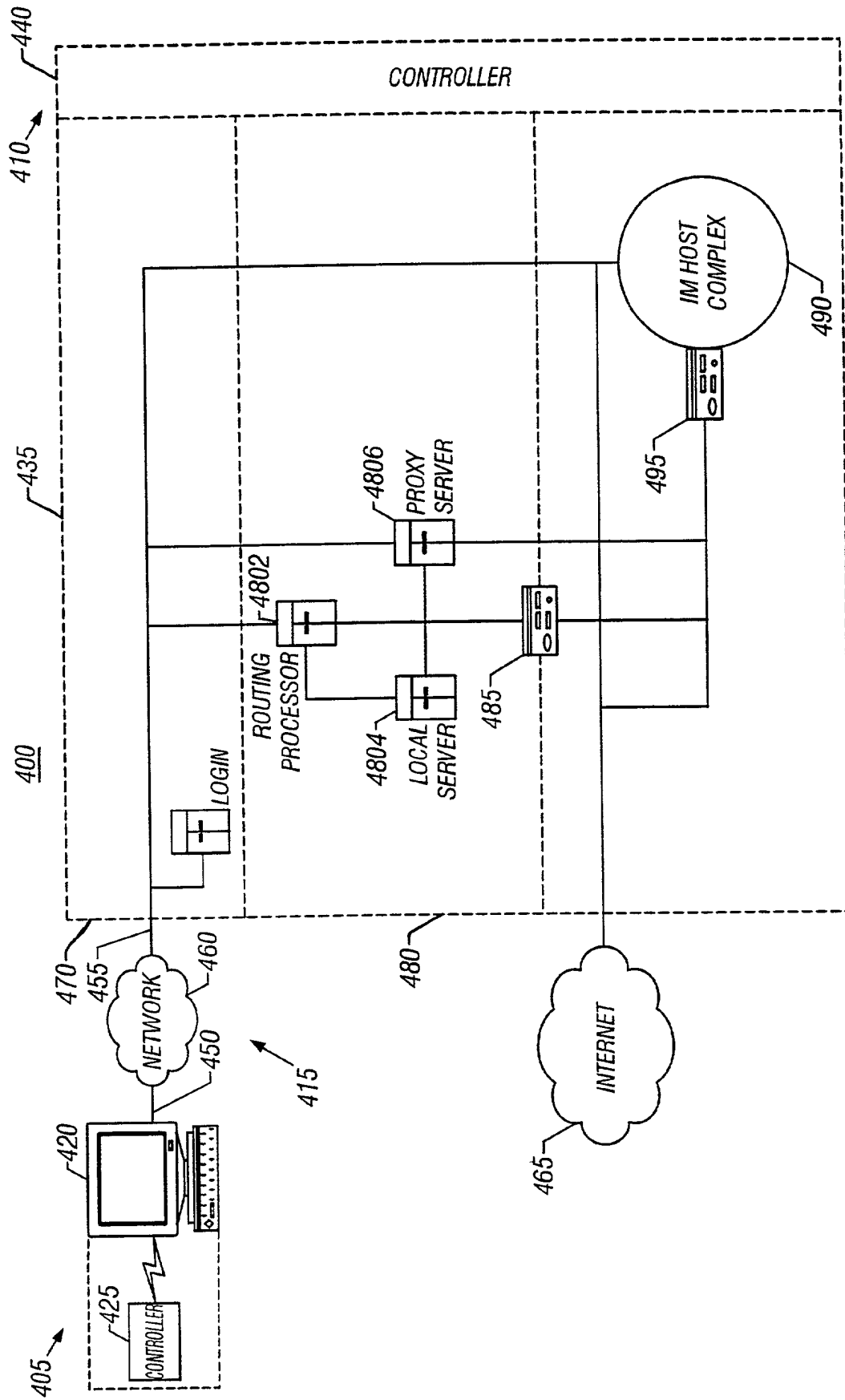


FIG. 4

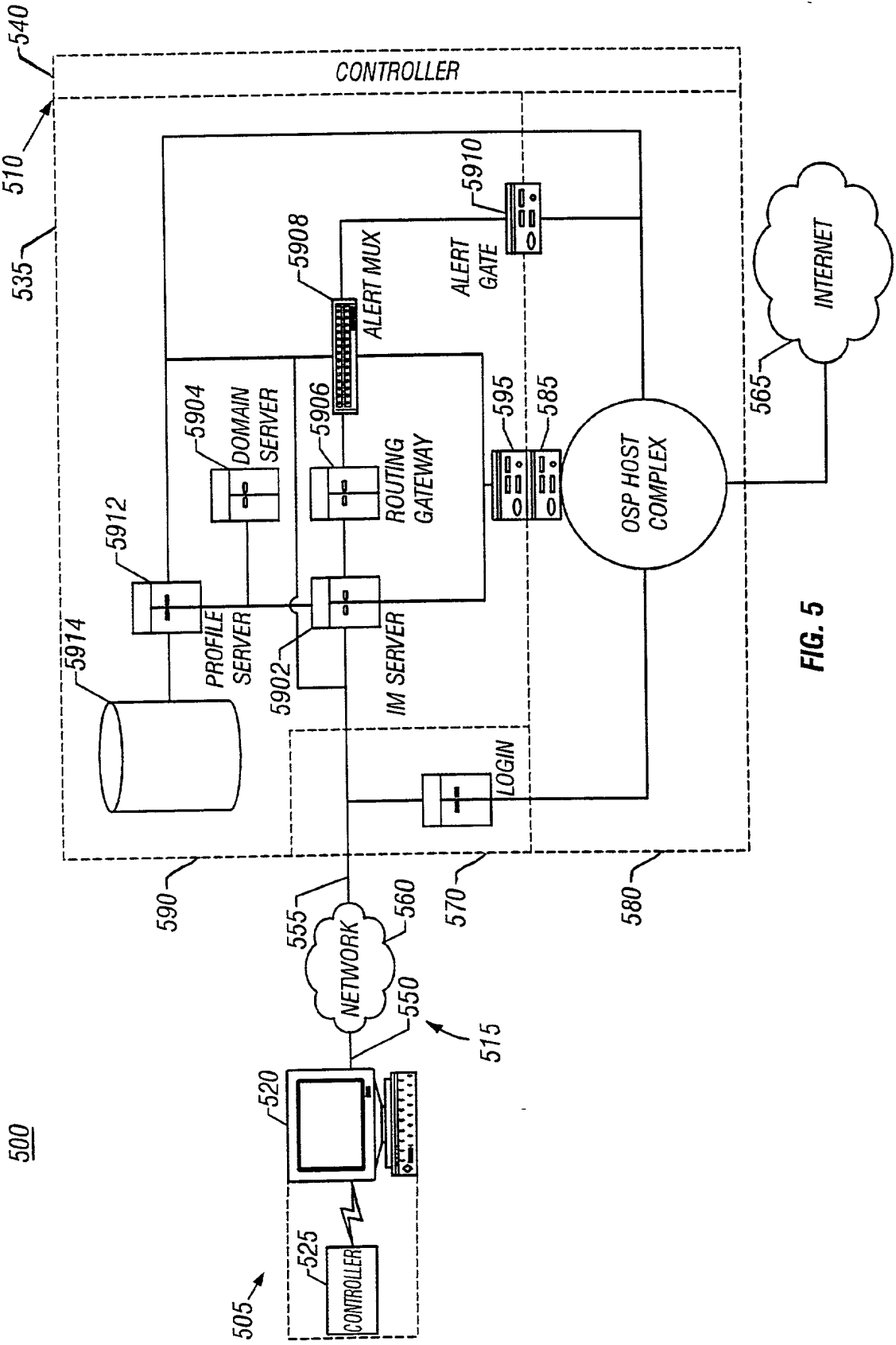


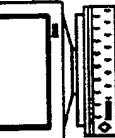
FIG. 5

500

505

520

CONTROLLER



555

NETWORK

550

560

570

580

590

5912

PROFILE SERVER

5904

DOMAIN SERVER

5902

IM SERVER

5906

ROUTING GATEWAY

5908

ALERT MUX

5910

ALERT GATE

585

OSP HOST COMPLEX

565

INTERNET

540

CONTROLLER

535

510

515

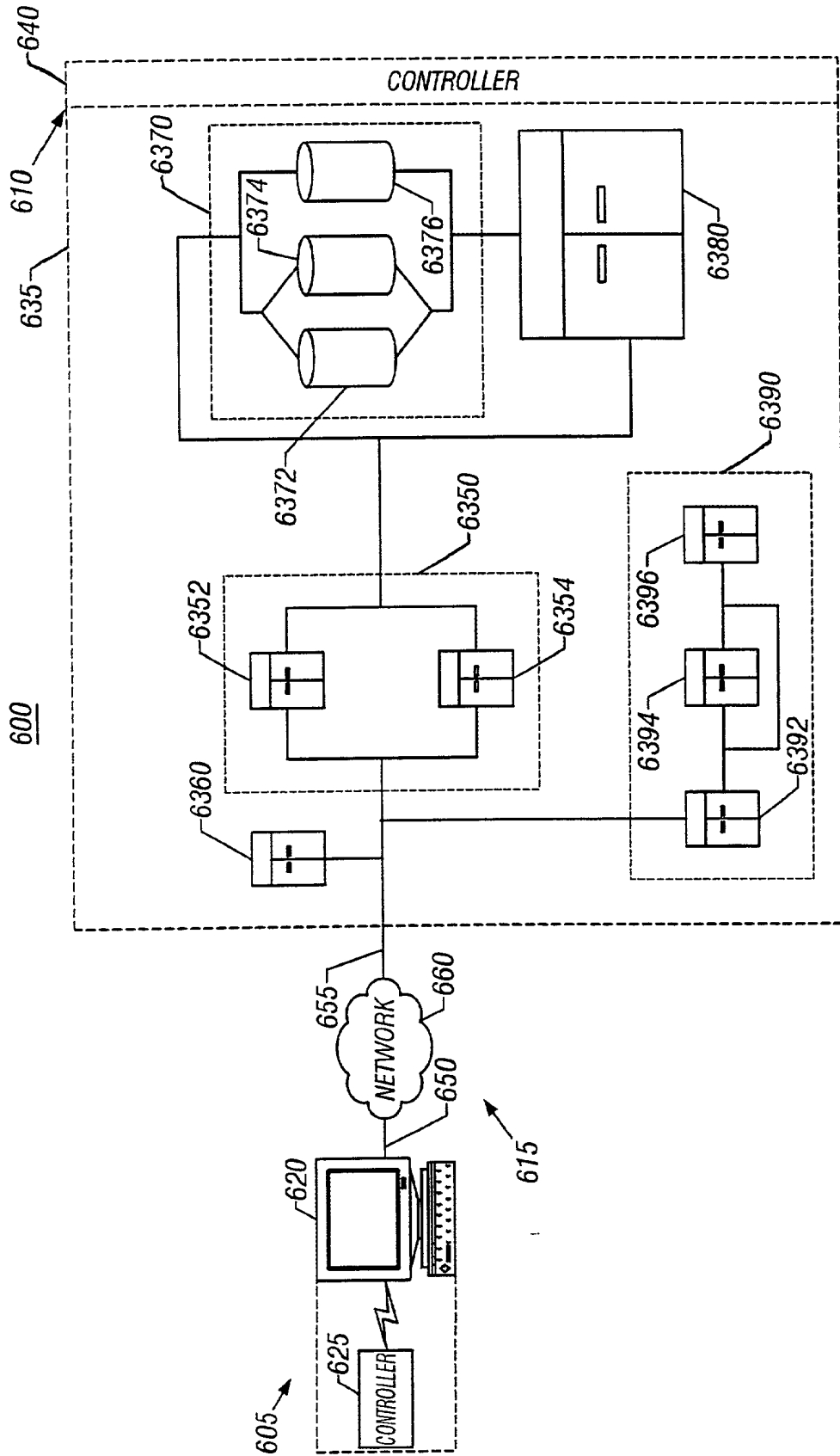


FIG. 6

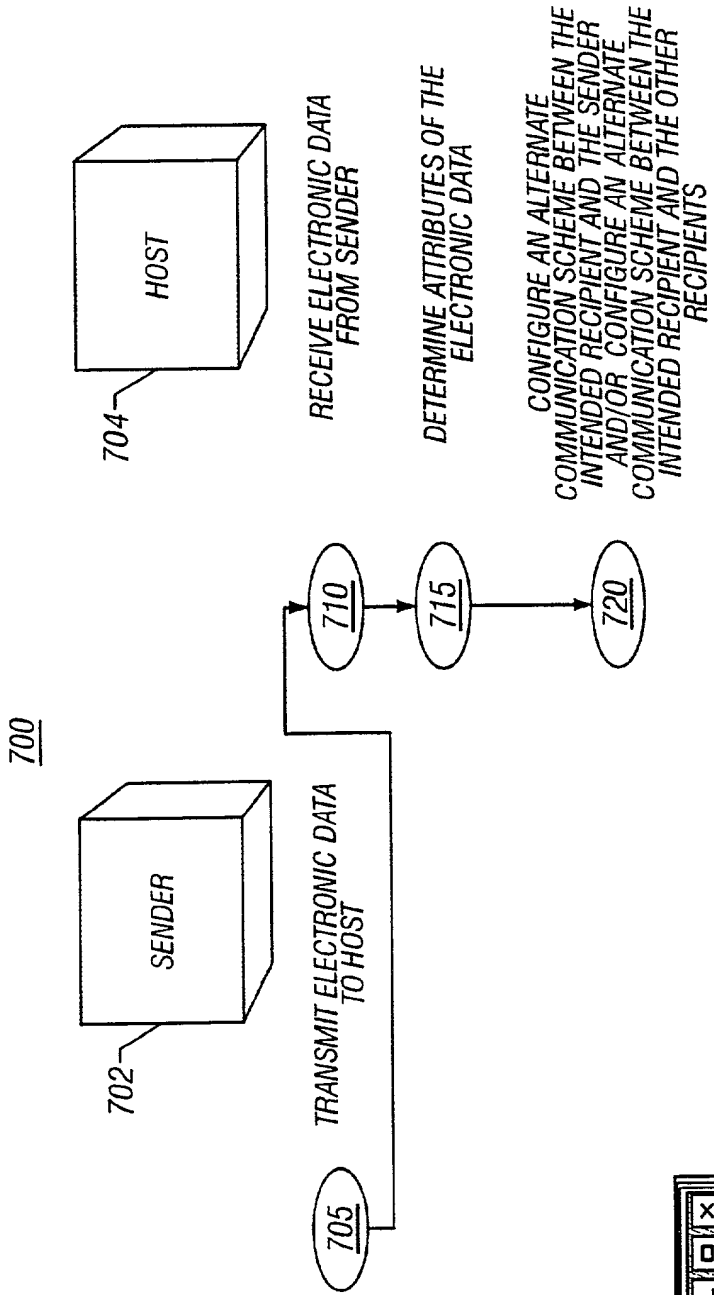


FIG. 7

900

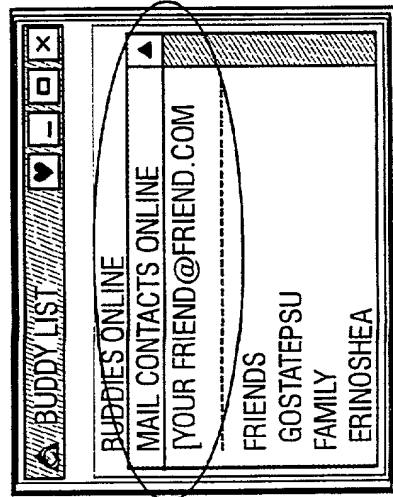


FIG. 9

Patent Application No. 2004/0134360

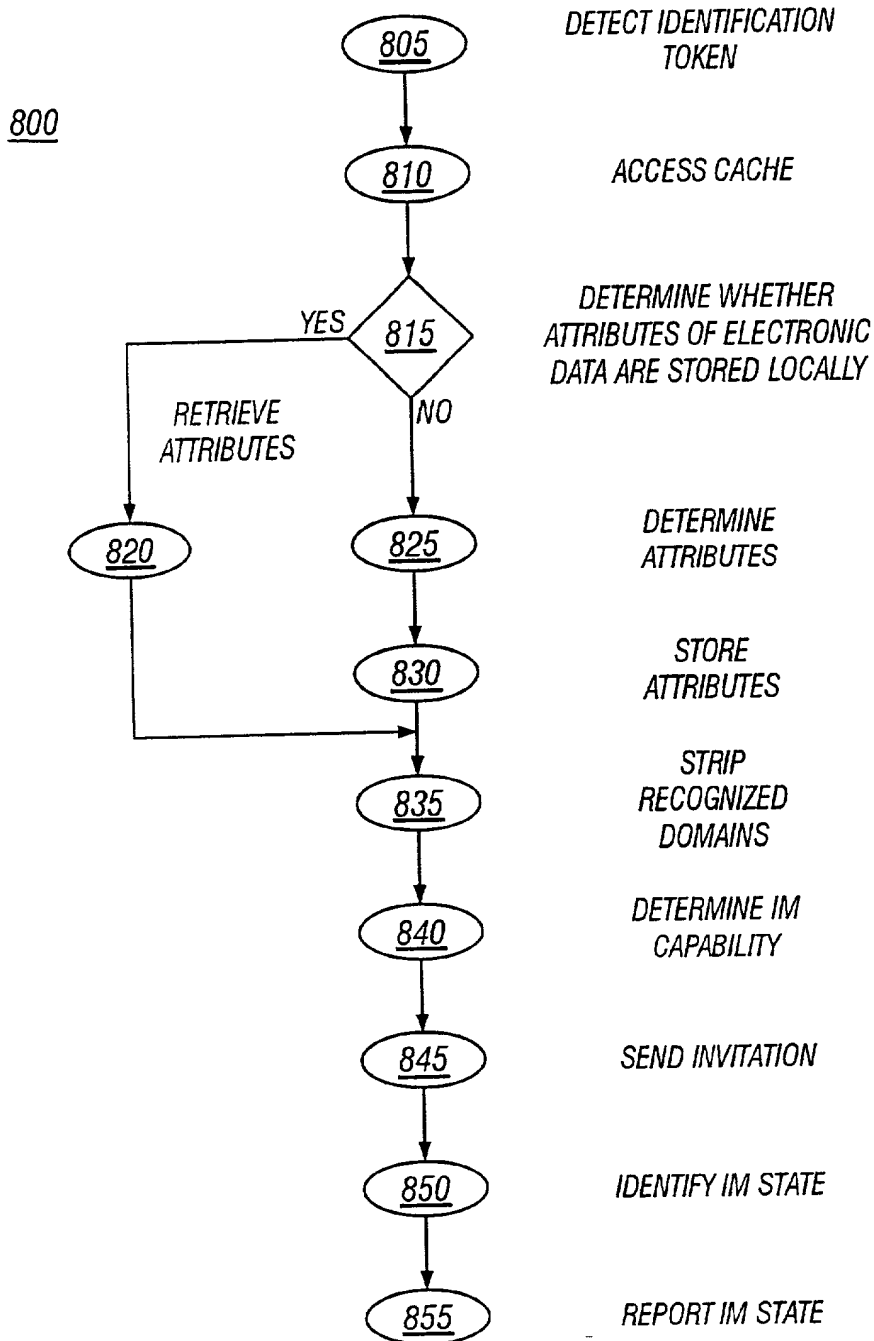


FIG. 8



FIG. 10

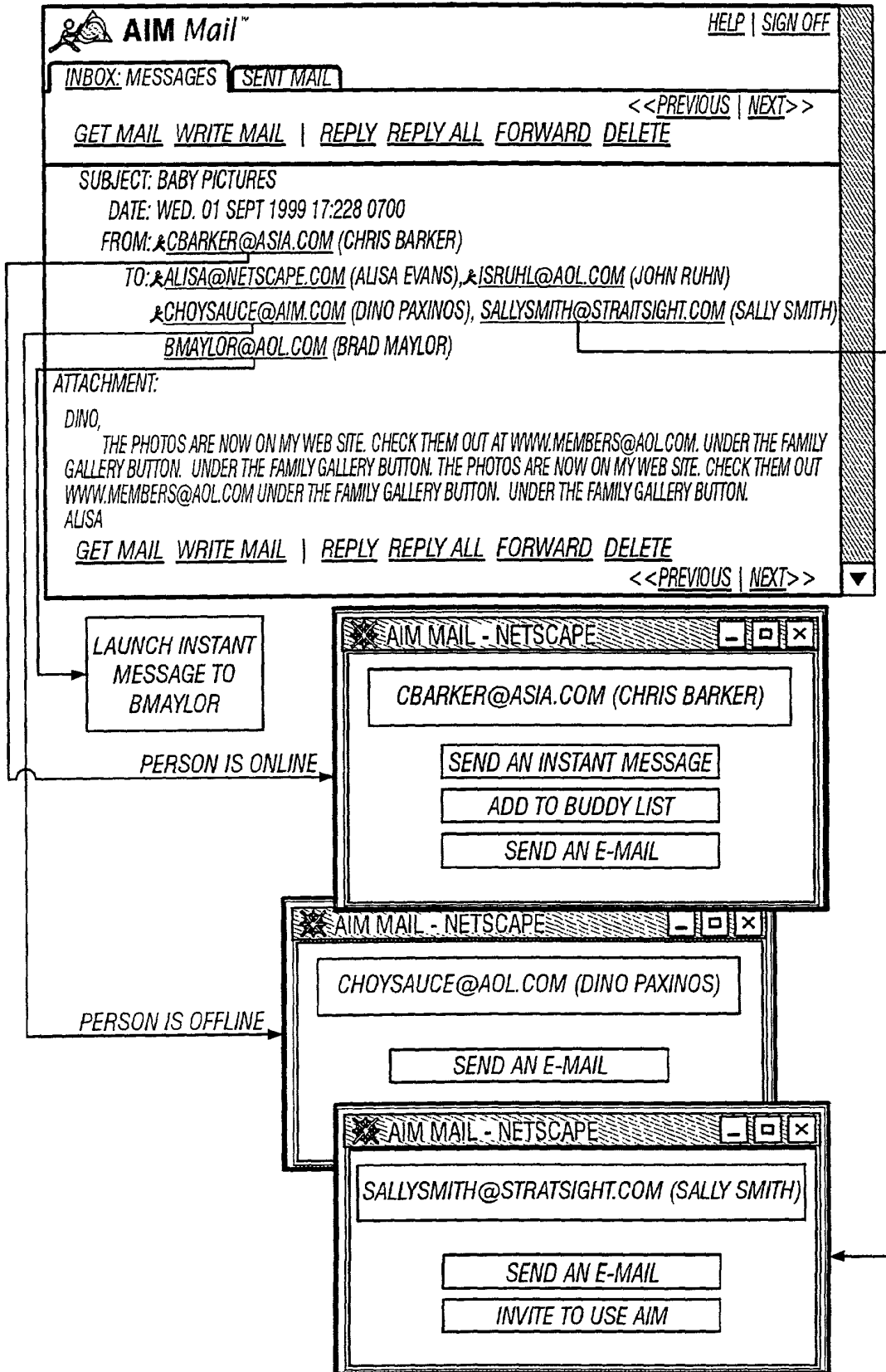


FIG. 10